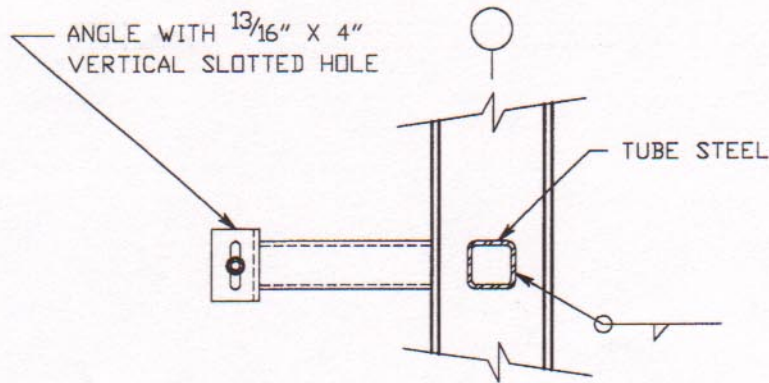
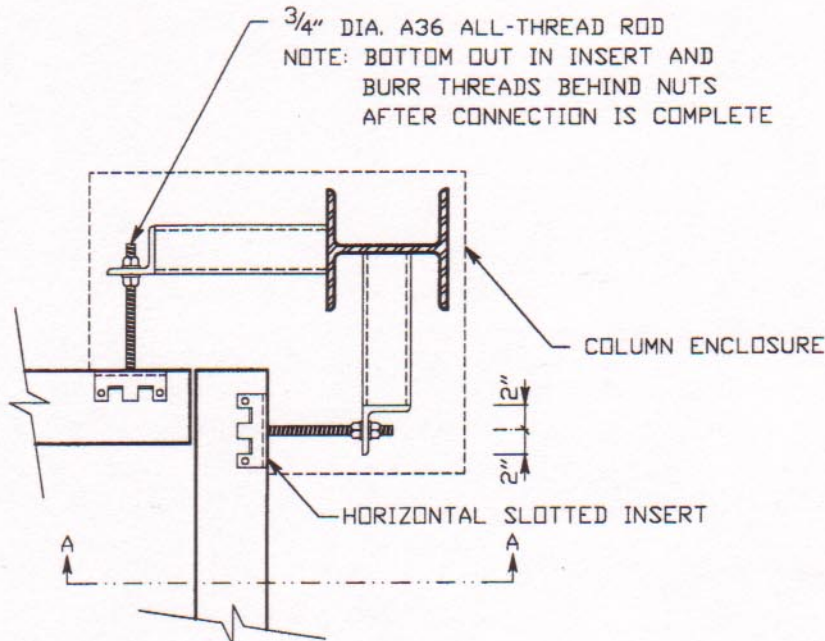


PANEL CONNECTION INTERIOR CORNER TIE-BACK



NOTE: THE ENGINEER OF RECORD SHALL CHECK THE COLUMN FOR LOCALIZED BUCKLING