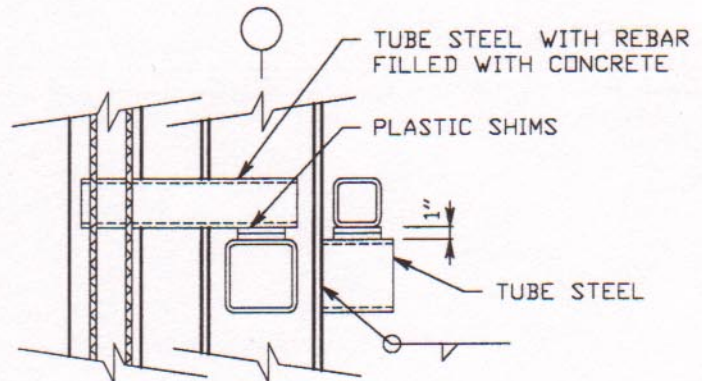
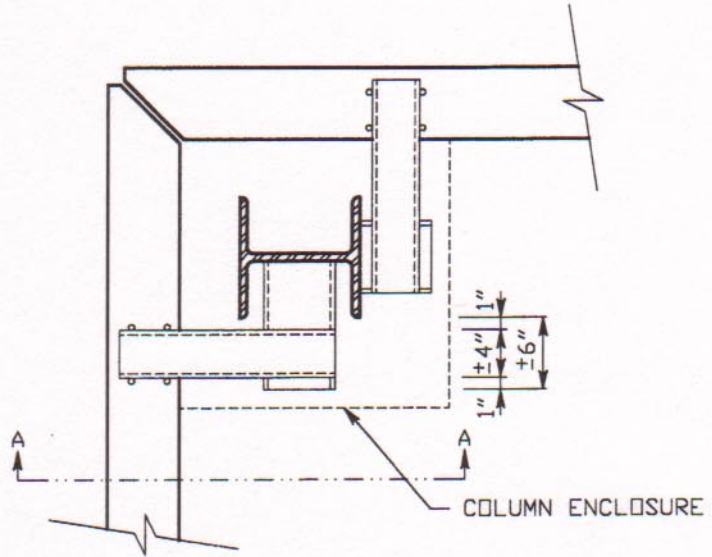


PANEL CONNECTION CORNER COLUMN BEARING



NOTE: THE ENGINEER OF RECORD SHALL CHECK THE COLUMN FOR LOCALIZED BUCKLING