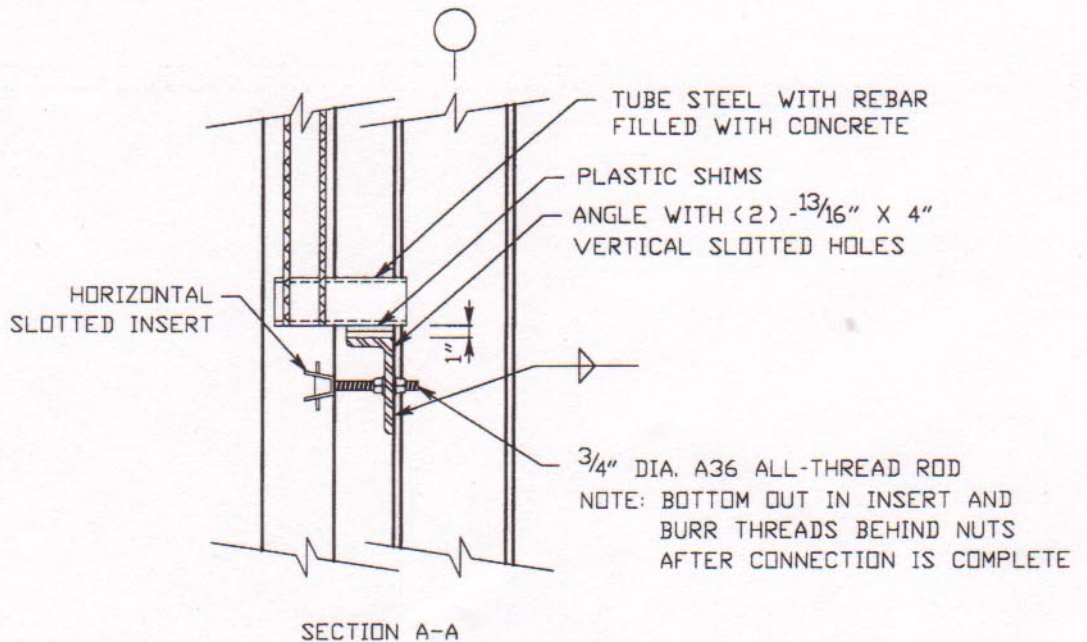
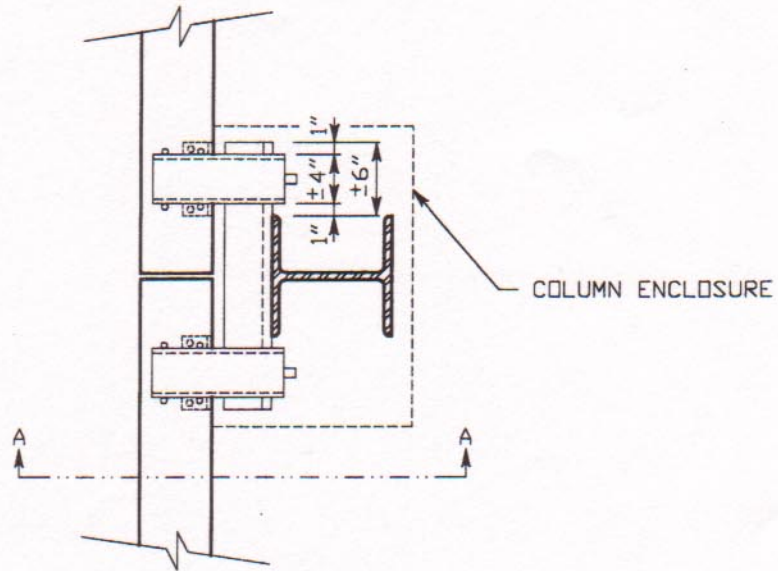


PANEL CONNECTION ANGLE TIE-BACK AND BEARING



NOTE: THE ENGINEER OF RECORD SHALL CHECK THE COLUMN FOR LOCALIZED BUCKLING