

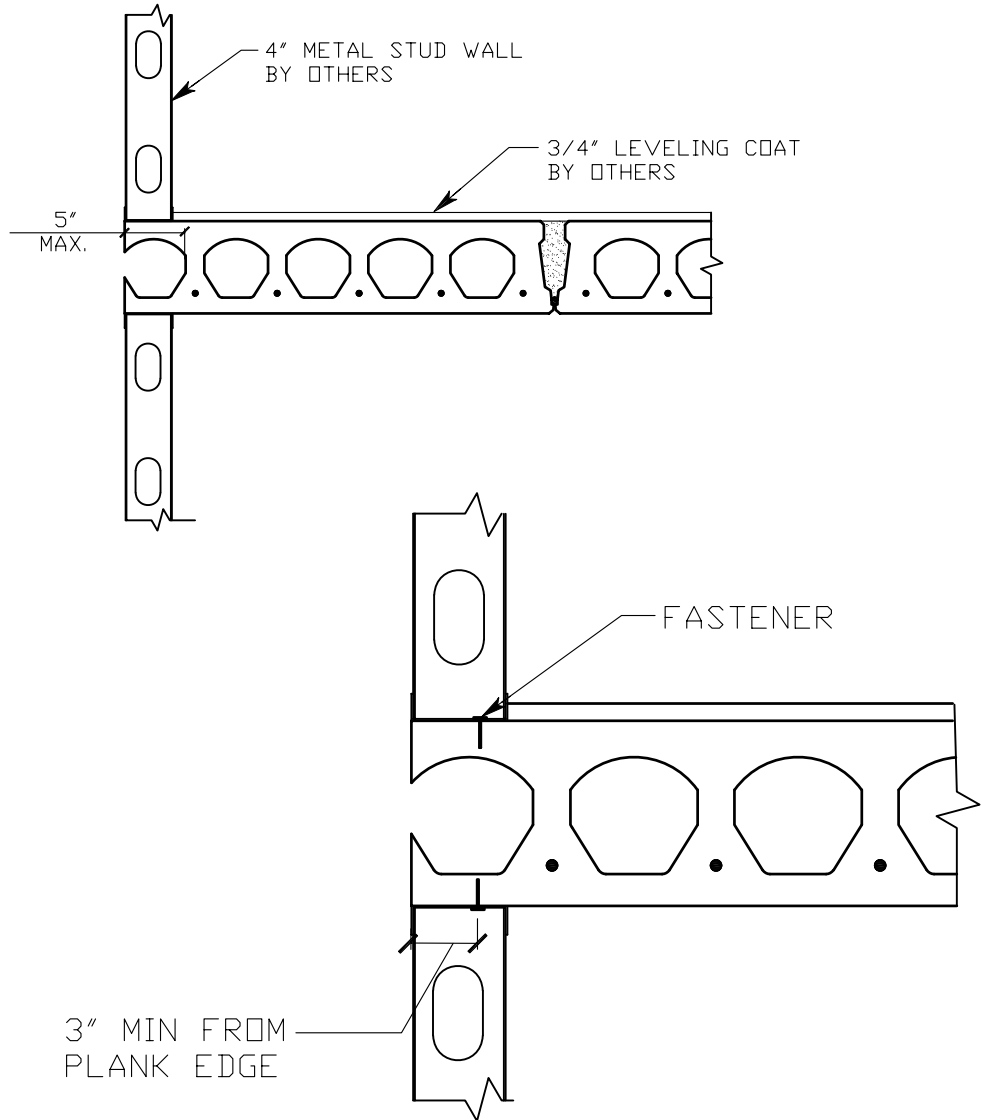
2655 MOLLY PITCHER HIGHWAY SOUTH
BOX N, CHAMBERSBURG, PA 17201-0813
(717) 267-4505 FAX (717) 267-4518
ESTABLISHED 1923

NITTEHOUSE
CONCRETE PRODUCTS



HOLLOW CORE PLANK DETAIL

ECHO RIP AT EXTERIOR 4" STUD CLADDING WALL



NOTES:

1. N.C.P. TESTING TO DETERMINE MINIMUM EDGE DISTANCE WAS DONE WITH A 22 CALIBER CARTRIDGE.
2. THE 3" EDGE DISTANCE SHOWN MUST NOT BE LESS THAN RECOMMENDED BY FASTENER MANUFACTURER.
3. DETAIL FOR A 6" NOMINAL STUD WALL IS SHOWN ON PAGE 21.