
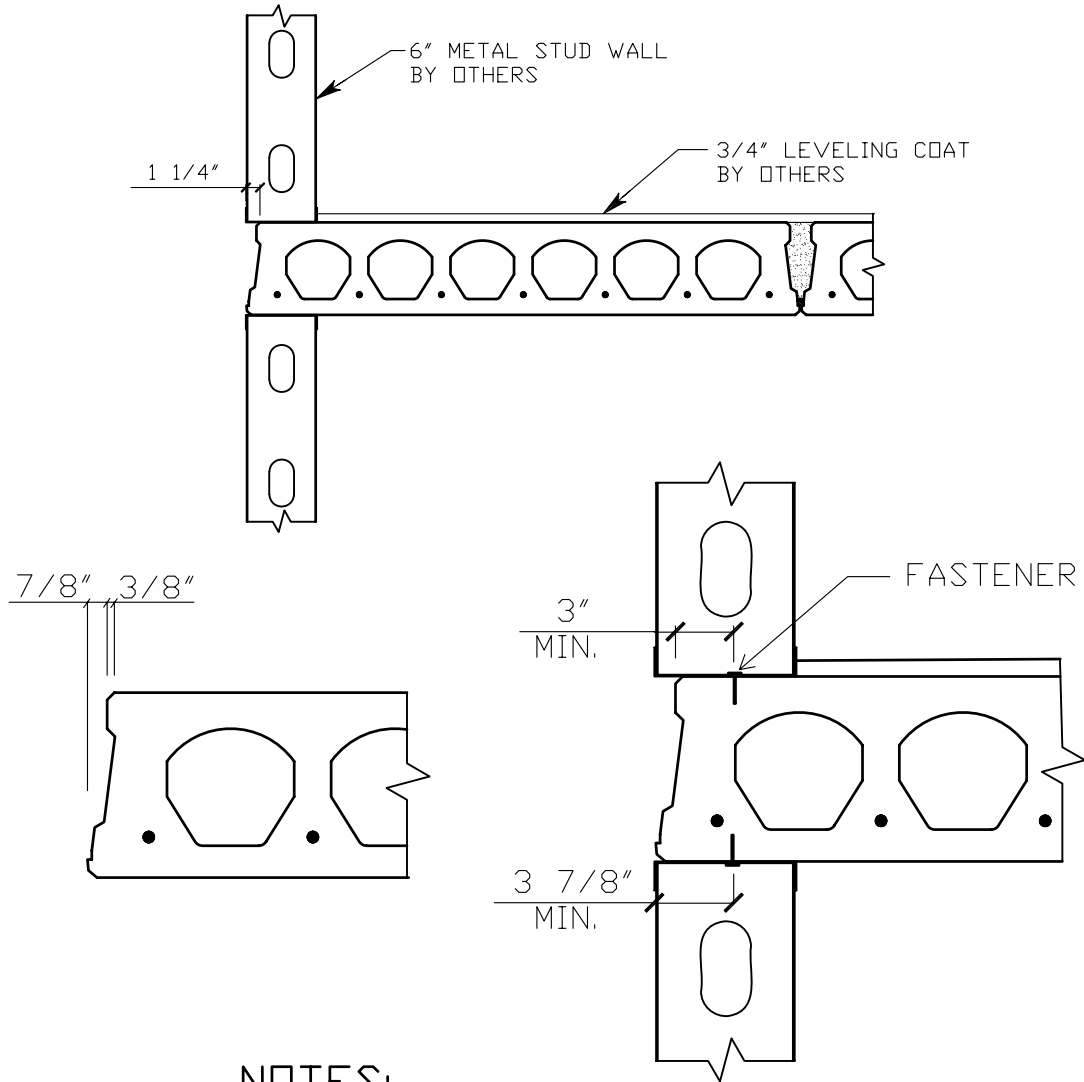


HOLLOW CORE PLANK DETAIL

4'-0" ECHO AT EXTERIOR 6" STUD CLADDING WALL

2655 MOLLY PITCHER HIGHWAY SOUTH
BOX N, CHAMBERSBURG, PA 17201-0813
(717) 267-4505 FAX (717) 267-4518
ESTABLISHED 1923

NITTE
HOUSE
CONCRETE PRODUCTS

NOTES:

1. N.C.P. TESTING TO DETERMINE MINIMUM EDGE DISTANCE WAS DONE WITH A 22 CALIBER CARTRIDGE.
2. THE 3" EDGE DISTANCE SHOWN MUST NOT BE LESS THAN RECOMMENDED BY FASTENER MANUFACTURER.
3. DETAIL FOR A 4" NOMINAL STUD WALL IS SHOWN ON PAGE 22.