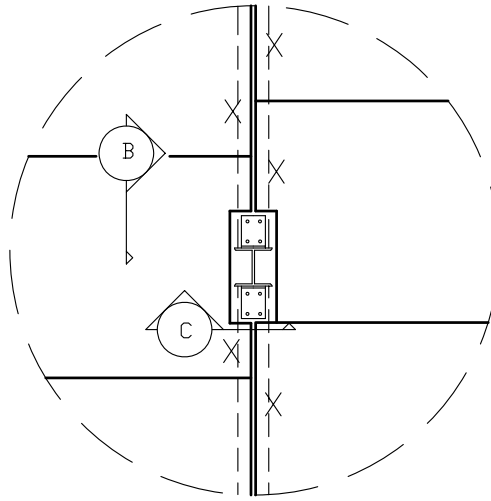


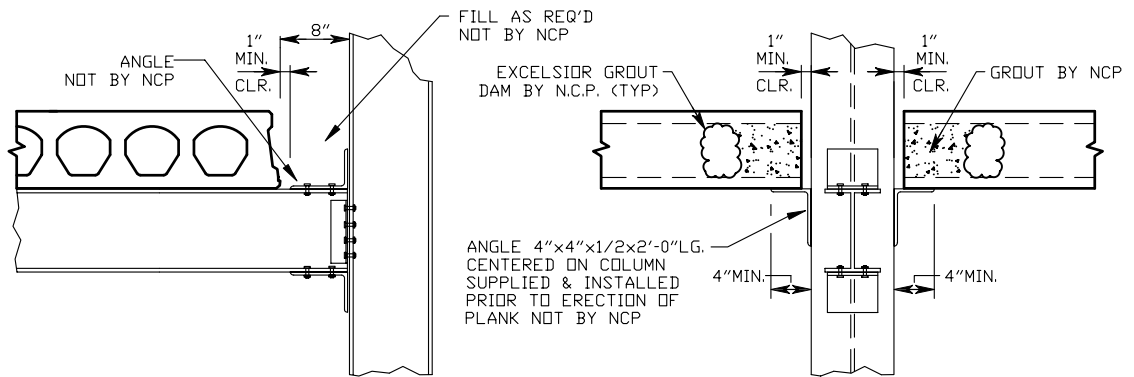
# HOLLOW CORE PLANK CONNECTION

## STEEL COLUMN/BEAM CONNECTION

2655 MOLLY PITCHER HIGHWAY SOUTH  
BOX N, CHAMBERSBURG, PA 17201-0813  
(717) 267-4505 FAX (717) 267-4518  
ESTABLISHED 1923



DETAIL A  
PLAN VIEW



SECTION B  
NOT TO SCALE

SECTION C  
NOT TO SCALE

### NOTES:

1. THE E.O.R. AND THE GENERAL CONTRACTOR ARE RESPONSIBLE FOR DESIGNING, SUPPLYING AND INSTALLATION OF PLANK BEARING SUPPORT AT STEEL COLUMN/BEAM CONNECTION NOTCHES.

**NITTE**  
**HOUSE**  
**CONCRETE PRODUCTS**

