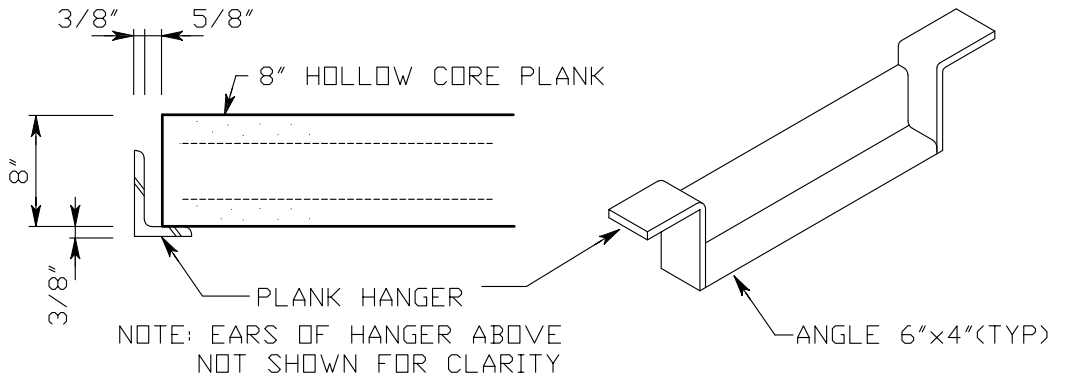


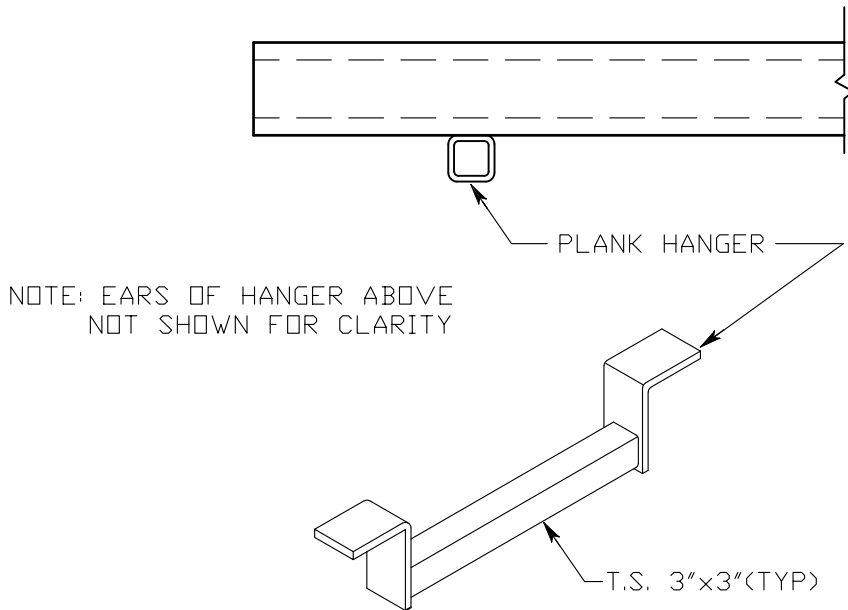
# HOLLOW CORE PLANK CONNECTION HANGER DESIGN

2655 MOLLY PITCHER HIGHWAY SOUTH  
BOX N, CHAMBERSBURG, PA 17201-0813  
(717) 267-4505 FAX (717) 267-4518  
ESTABLISHED 1923



TYPICAL HANGER

**NITTEHOUSE**  
CONCRETE PRODUCTS



SPECIAL UNDER-SLUNG HANGER