

# HOLLOW CORE PLANK CONNECTION

## DETAIL OF BEARING ON STEEL BEAM

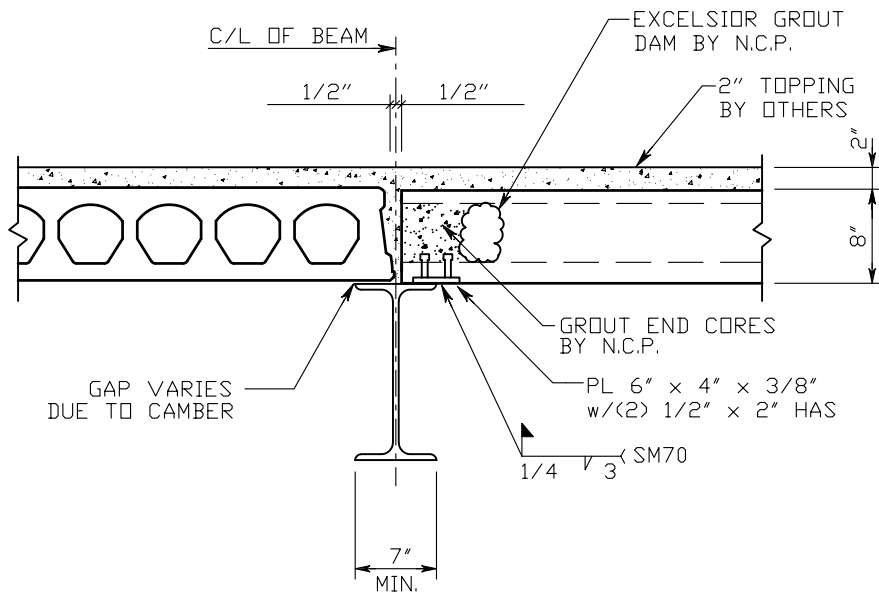
2655 MOLLY PITCHER HIGHWAY SOUTH  
BOX N, CHAMBERSBURG, PA 17201-0813  
(717) 267-4505 FAX (717) 267-4518  
ESTABLISHED 1923

**NITTEHOUSE**

PRODUCTS



CONCRETE



### NOTES:

1. N.C.P. WILL PROVIDE A BROOMED FINISH IN ORDER TO CREATE A COMPOSITE TOPPING. C.I.P. TOPPING BY OTHERS IS TO BE 3,000 PSI. (NORMAL WEIGHT CONCRETE).
2. WELD PLATES ARE FOR BRACING THE COMPRESSION FLANGE OF THE STEEL BEAM AND FOR TRANSFERRING DIAPHRAGM FORCES. THEY ARE NOT TO HOLD THE PLANKS ON THE STEEL BEAMS. THE CONTRACT DRAWINGS SHALL INDICATE THE REQUIRED SPACING IN 4'-0" INCREMENTS.